

Aivee

MP2 BOOST hubs

User's manual



INTRODUCTION

The range of Aivee state of the art equipments is the result of the research and development department studies supervised by a team of enthusiasts, always attentive to the needs of users. Thus, the Aivee signature is the guarantee for quality on all roads, tracks and paths.

Aivee is based on three fundamentals: emotion, innovation and accessibility. Our challenge is to encourage emotion and give pleasure to the greatest number of athletes and enthusiasts. Our goal is uncompromising, render a premium brand accessible, affordable products, leading the way to adventure !

PRESENTATION

With the Aivee MP2, we wanted to create a hub with a very simple design without neglect the strength of the hub. MT6 hubs are very robust and they also have the Aivee finish. MT6 hubs have watertight bearings and are lubricated with a grease specially developed for our hubs. MT6 rear hubs have an increased number of engagement points, thanks to 6 pawls, they have 60 engagement points. With big size flanges, MT6 are also very stiff.

The MT6 range is a hub range made for fanatics who search reliable equipment, with a simple design with the Aivee finish.

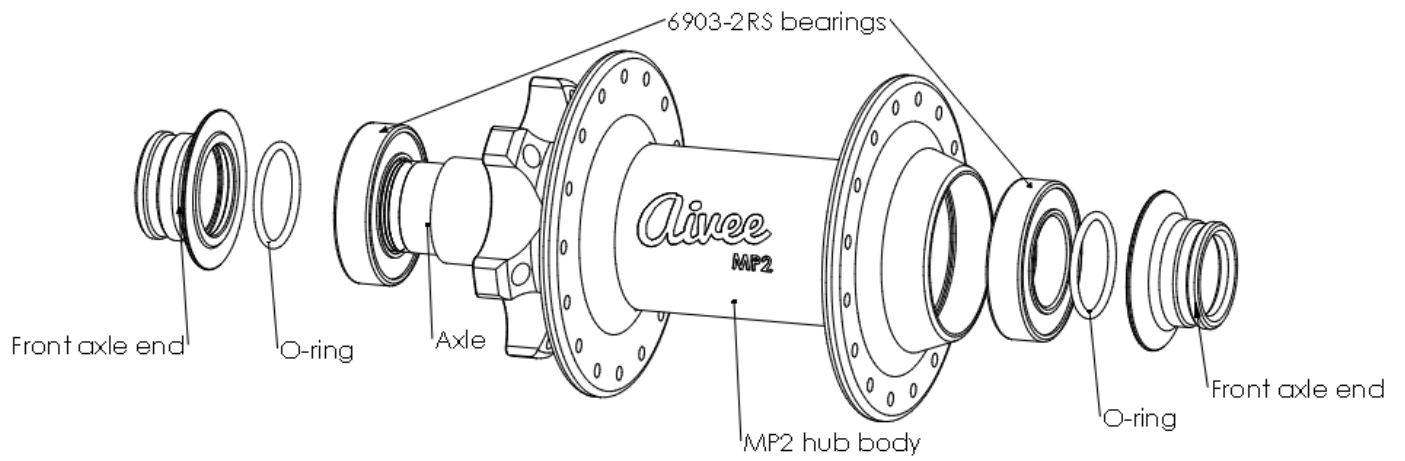
MOUNTING

Aivee MP2 hubs are available with 24, 28 or 32 spoke holes. The spoke tension must not exceed 1200N. Aivee MP2 rear hubs are designed to work with a cassette which has a spider.

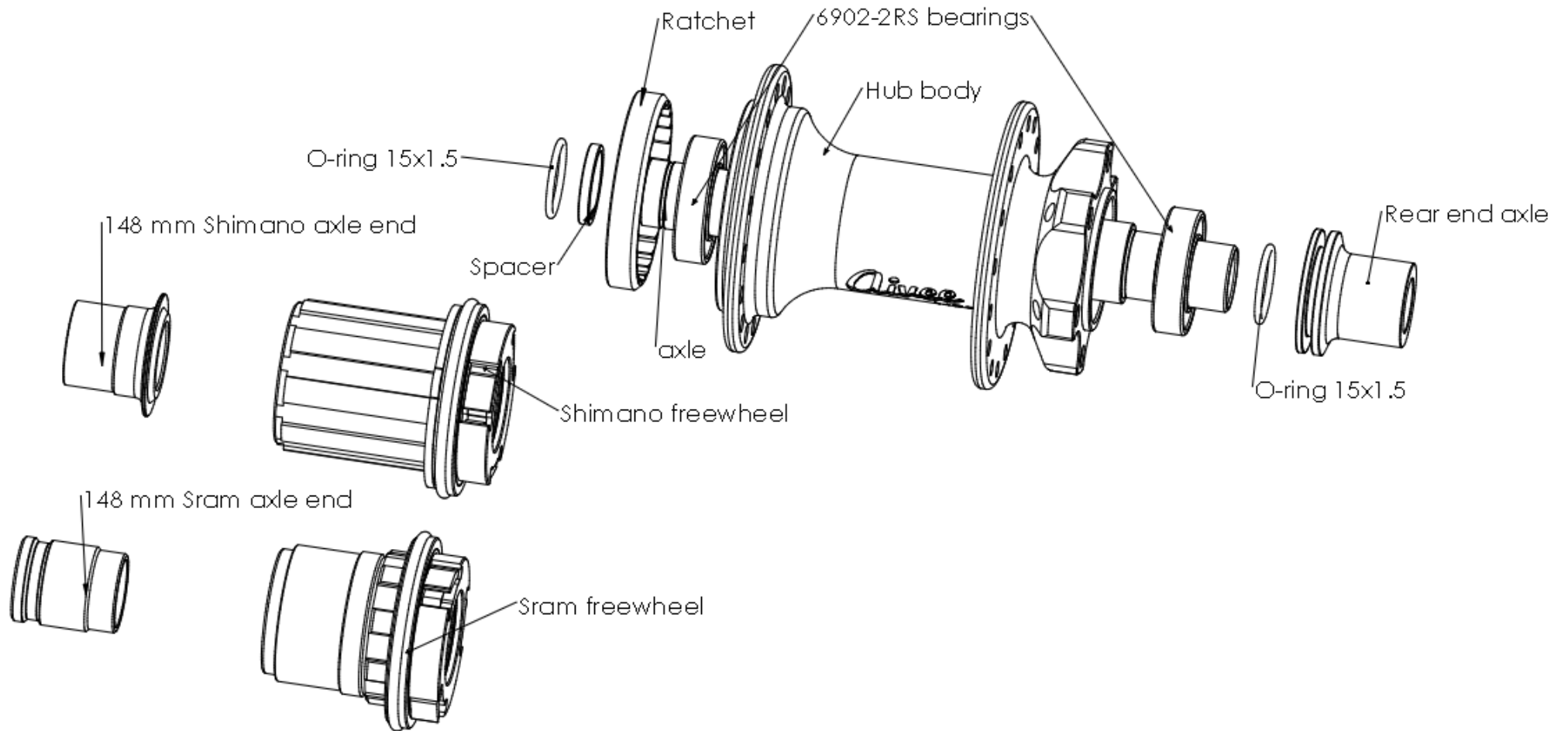


The rear hub must not be laced radially.

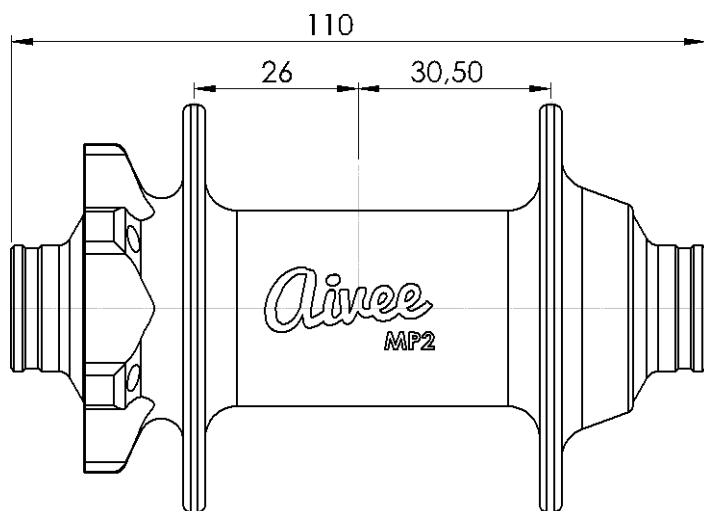
FRONT HUB



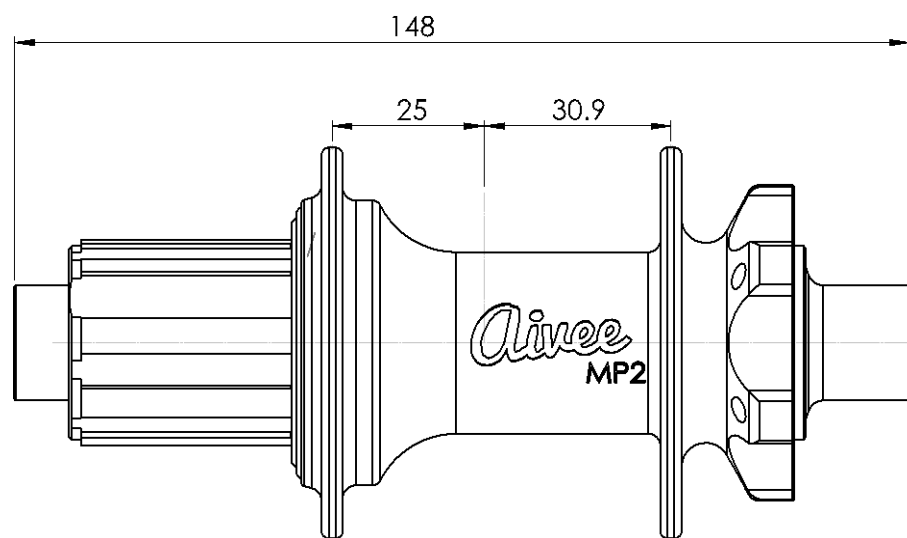
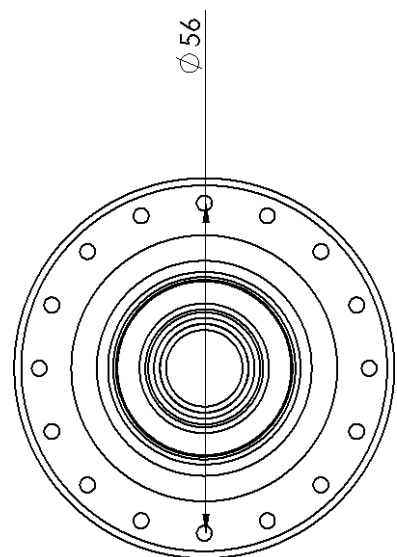
REAR HUB



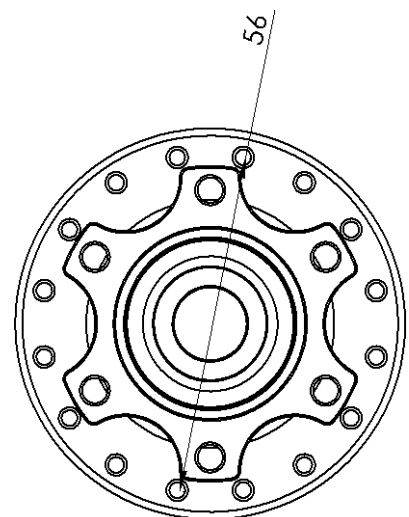
GEOMETRY / WEIGHT



Weight :
189g



Weight :
307 g



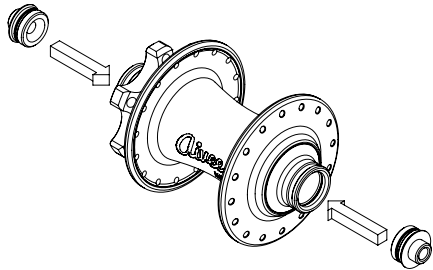
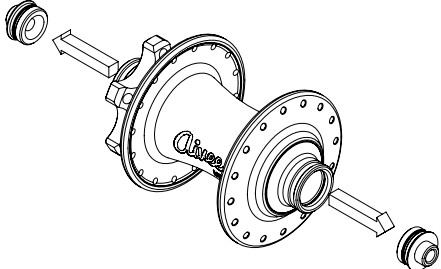
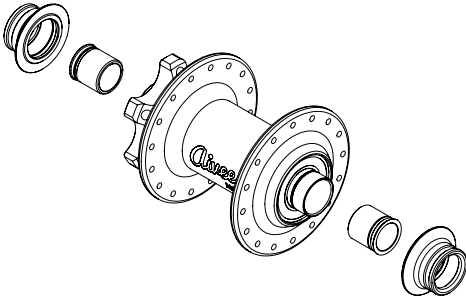
CONVERSION

MP2 hubs are compatible with 15 mm axle, 9mm axle with the QR adapters and 12mm axle for the front hub, with 10 mm axle (QR) and 12mm x 142 for the rear hub. The conversion between all of these standards has been designed to simplify this task. It's very easy to change axle ends.

Note:

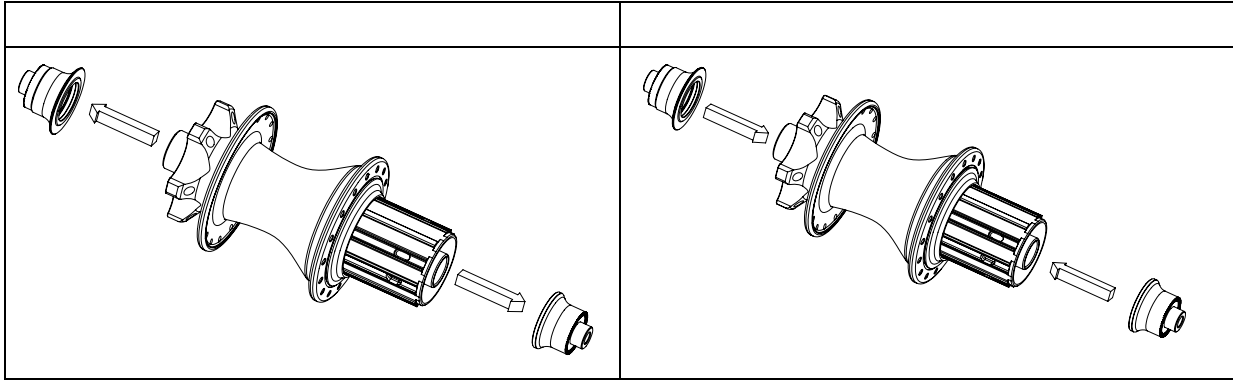
- Rear hubs are compatible with the XD standard via a specific freewheel body kit. It is possible to change the freewheel body by purchasing it separately.

Front hub

<p>Conversion 15mm to 9mm: - Put the QR adapters on the axle ends.</p>	<p>Conversion 9mm to 15mm: - Remove the QR adapters from the axle ends.</p>
	
<p>Conversion 15mm to 12mm: - Put the 12 adapters on the axle ends.</p>	<p>Conversion 12mm to 15mm: - Remove the 12 adapters from the axle ends.</p>
	

Rear hub

<p>a) Remove the axle end mounted on the hub (QR or 12x142). If needed, pull strongly to take it away, it is due to the O-ring which holds in place the axle end.</p>	<p>b) Put wanted axle ends until it bottoms out. c) Check if the lip seal is well mounted and in good order.</p>
---	--



MAINTENANCE

MP2 hubs are designed to resist. With a little of maintenance, they will be more efficient. When you are accumulating muddy rides, don't hesitate to clean your hub.

Front hub

To clean the front hub, you must remove easily axle ends. Then, remove the mud and the dust that can bother the bearing functioning. Grease elements and assemble the hub.

Rear hub

To clean the rear hub, remove an axle. Remove the cassette body by pulling it. Then clean the ratchet and pawls if needed. Lubricate with oil the ratchet and pawls (viscosity: more than 150 cSt), assemble the cassette body into the hub body. Then put adapted axle ends.



SAFETY WARNING

This user manual contains important and useful information regarding the installation, operation and maintenance. Please read it carefully and follow the instruction of installation as detailed in this user guide.

If you have any doubt regarding your ability in installing, please consult your AIVEE dealer and seek the assistance of a professional bicycle mechanic.

Incorrect installation or use may impair performance and could result in a dangerous situation leading to serious injury or death. Components that have experienced excessive wear, deformation, impacts or any other damage, need immediate professional inspection and replacement by a new AIVEE component.

MAINTENANCE

Do not clean your hub with a high-pressure cleaner, this could cause water infiltration and the damaging of some components.

Inspect your AIVEE product before each ride check the dent and its looseness.

Parts after fall or crash should be inspected by professional bicycle mechanic.

WARNING

Continuing to use damaged parts may lead to loss of control and could cause serious injury or death.

Cyclists should inspect their bicycle and parts regularly. He should check bolts and other fasteners periodically for tightness, in order to determine the need for service and to detect any damage that may have occurred from normal use.

For more information, please contact us.

Aivee

Aivee S.A.S

Les Quatre Chemins de l'Oie BP 16-85140 Sainte Florence

Tél : (33) 2 51 66 10 29 - fax : (33) 2 51 66 08 01

E-mail : contact@Aivee.fr Web: www.Aivee.fr